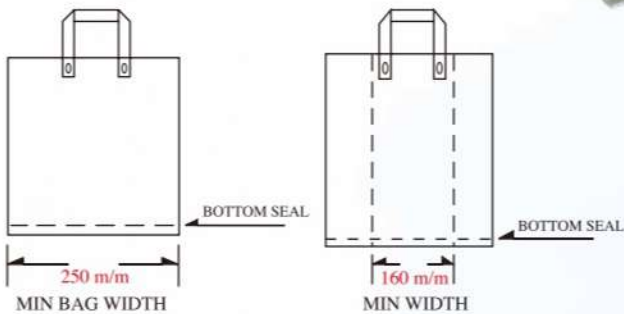
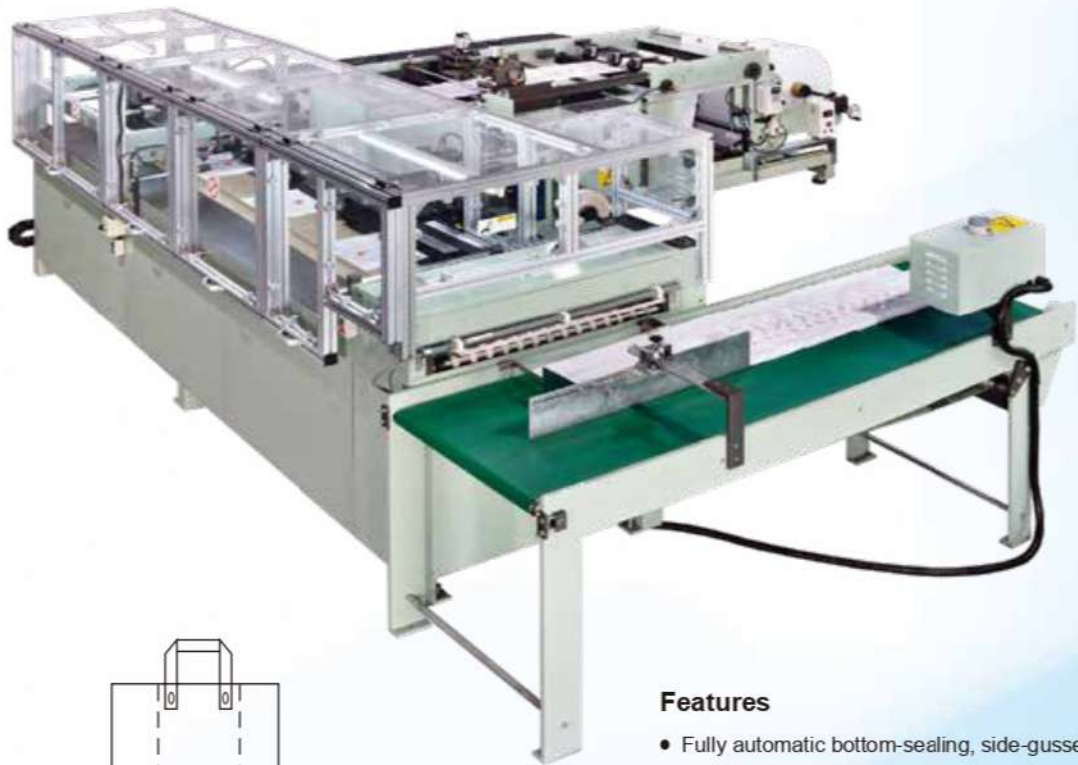


LY-800BL

FULLY AUTOMATIC BOTTOM-SEALED LOOP HANDLE BAG MAKING MACHINE WITH 3 SERVO MOTORS.



Features

- Fully automatic bottom-sealing, side-gusset soft-loop bag making machine.
- Servo-driven feeding system with one set of photocell for printed bag.
- Servo-driven flying knife system for cutting.
- Servo-driven conveyor system for soft-loop unit.
- Optional post gusseter is available.

Specification

Model	Bag length	Bag width	Material	Speed	Thickness of main film	Thickness of loop handle	
LY-800BL	300-600 mm	250-600 mm	LDPE, LLDPE, HDPE	Up to 40 bags/min	0.04-0.12 mm / layer	0.18-0.25 mm / layer	
Model	Size of loop handle	Power required	Machine dimensions			Machine weight	Air compressor (Not included)
LY-800BL	W: 30mm, L:360mm	17kw	L	W	H	3800 kgs.	5 HP
			4.7M	4.7M	1.6M		

Notes : due to continual research and improvement, mechanical specifications are subject to further revision without prior notice.